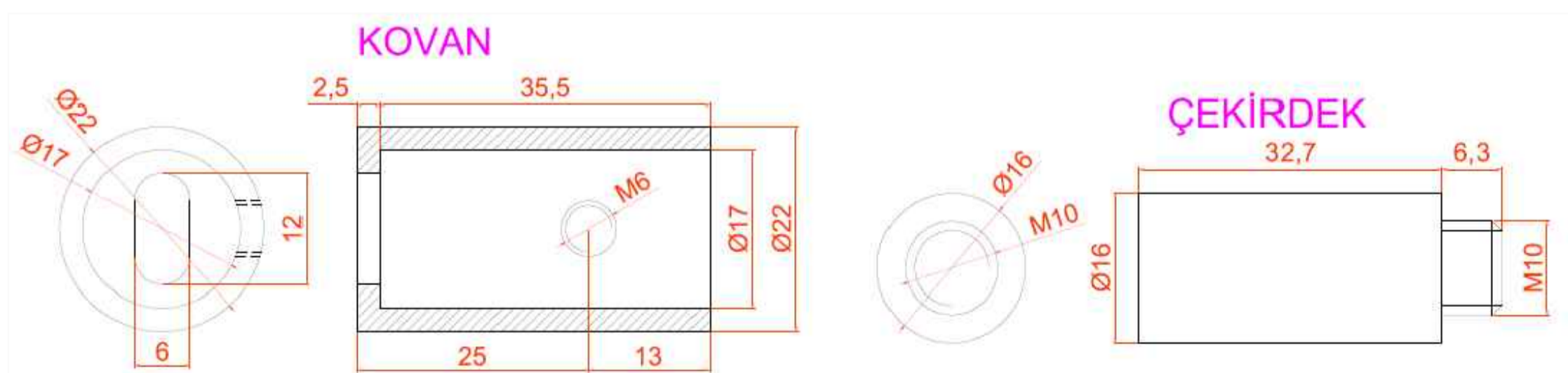
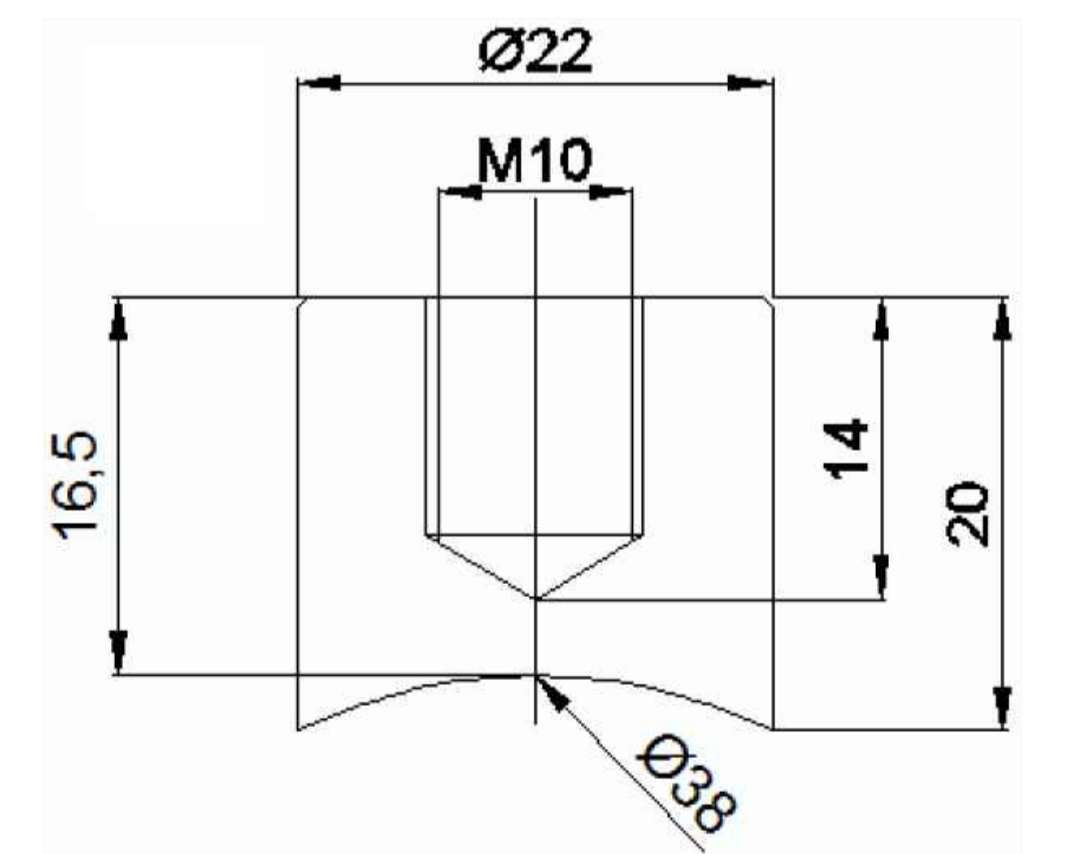
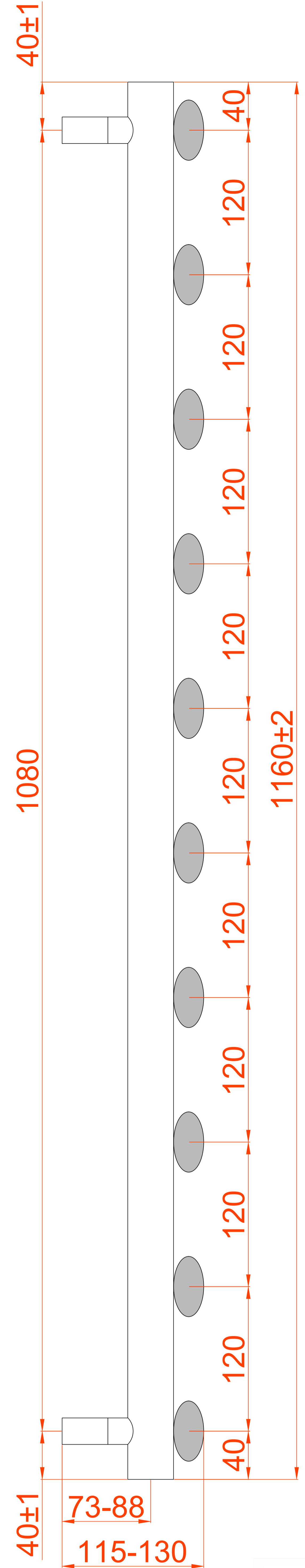
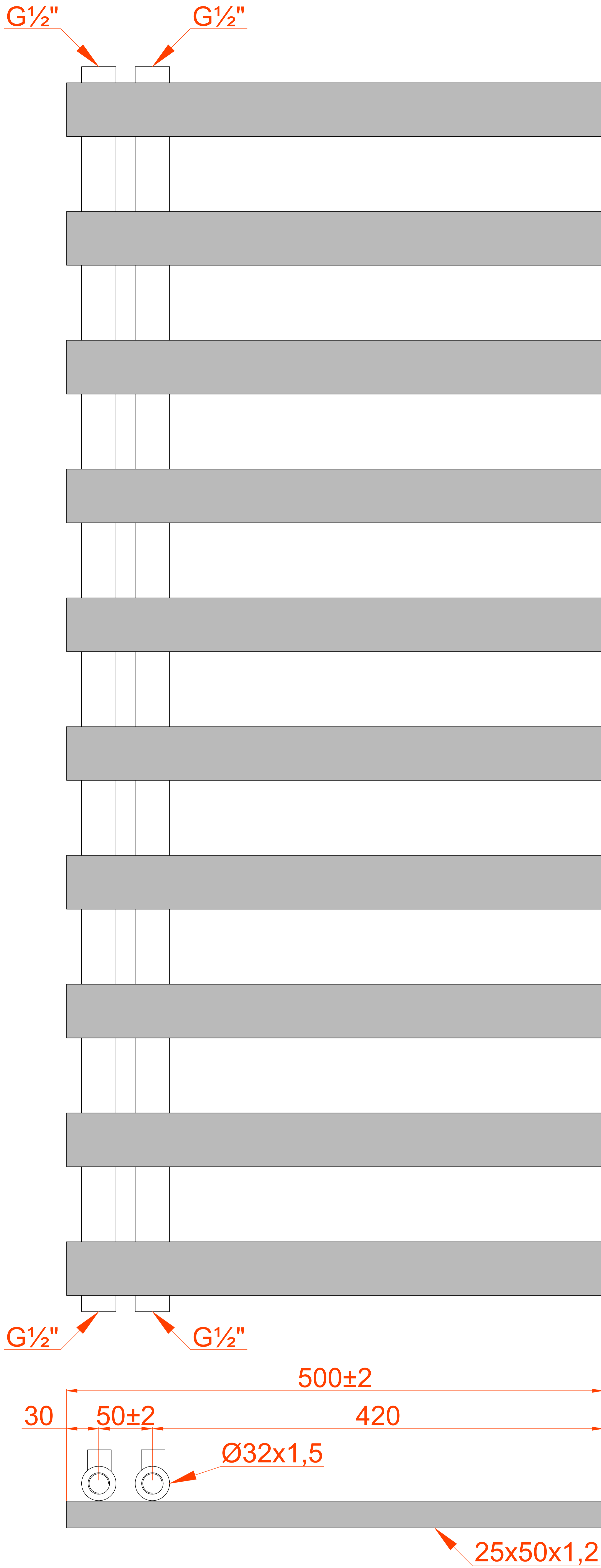


UNCERTAINTY MEASURED TOLERANCES - ISO 2768-1 c								
	0,5mm 3mm	3mm 6mm	6mm 30mm	30mm 120mm	120mm 400mm	400mm 1000mm	1000mm 2000mm	2000mm 4000mm
LINEAR	$\pm 0,2$	$\pm 0,3$	$\pm 0,5$	$\pm 0,8$	$\pm 1,2$	$\pm 2$	$\pm 3$	$\pm 4$

REVISION DESCRIPTION	REV. DATE	REV. DRAWN.	NO.

CHECKED APPROVAL

DRAWING	DATE	NAME	SIGN
	25.12.2020	Sefa FALAY	
	25.12.2020	Sefa FALAY	
	25.12.2020	Ferda SAĞIR	
MATERIAL	PROJECT NAME :		
	CEYLAN - MODEL 2		
	25x50x1,2 ELIPS - 500x800mm		
	PIPE DISTRIBUTION 7 PIPES		SCALE 1/1
	PROJECT NO		REV. 0

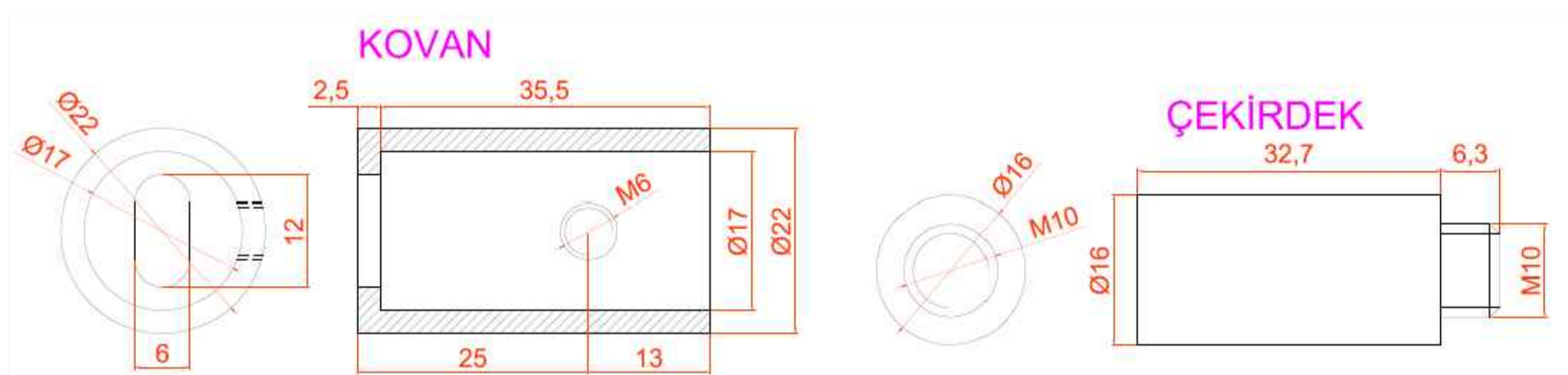
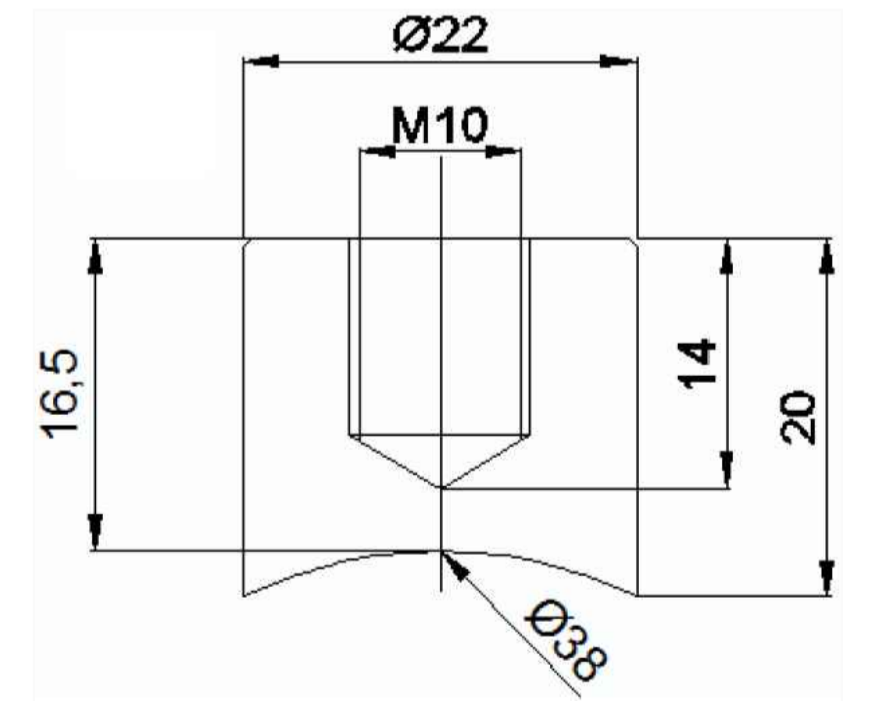
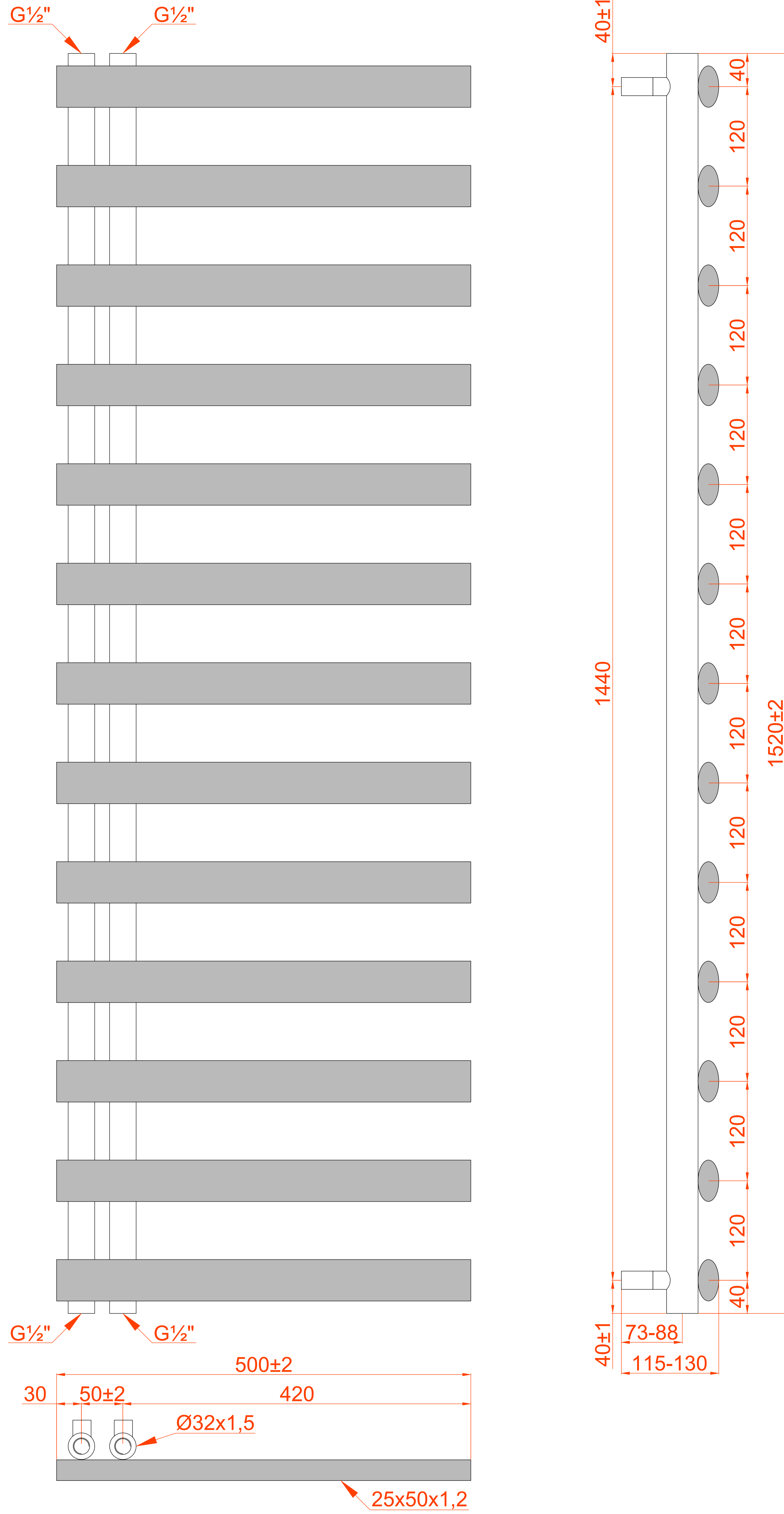


UNCERTAINTY MEASURED TOLERANCES - ISO 2768-1 c

	0,5mm 3mm	3mm 6mm	6mm 30mm	30mm 120mm	120mm 400mm	400mm 1000mm	1000mm 2000mm	2000mm 4000mm
LINEAR	± 0,2	± 0,3	± 0,5	± 0,8	± 1,2	± 2	± 3	± 4

REVISION DESCRIPTION	REV. DATE	REV. DRAWN.	NO.
		CHECKED	APPROVAL

DRAWING	DATE	NAME	SIGN
	25.12.2020	Sefa FALAY	
	25.12.2020	Sefa FALAY	
	25.12.2020	Ferda SAĞIR	
MATERIAL	PROJECT NAME :		
	CEYLAN - MODEL 2		
	25x50x1,2 ELIPS - 500x1160mm		
	PIPE DISTRIBUTION 10 PIPES		SCALE 1/1
	PROJECT NO		REV. 0



UNCERTAINTY MEASURED TOLERANCES - ISO 2768-1 c

	0,5mm 3mm	3mm 6mm	6mm 30mm	30mm 120mm	120mm 400mm	400mm 1000mm	1000mm 2000mm	2000mm 4000mm
LINEAR	± 0,2	± 0,3	± 0,5	± 0,8	± 1,2	± 2	± 3	± 4

REVISION DESCRIPTION	REV. DATE	REV. DRAWN.	NO.
		CHECKED	APPROVAL

DRAWING	DATE	NAME	SIGN
	25.12.2020	Sefa FALAY	
	25.12.2020	Sefa FALAY	
	25.12.2020	Ferda SAĞIR	
MATERIAL	PROJECT NAME :		
	<b>CEYLAN - MODEL 2</b>		
	<b>25x50x1,2 ELIPS - 500x1520mm</b>		
		PIPE DISTRIBUTION 13 PIPES	SCALE 1/1
		PROJECT NO	REV. 0